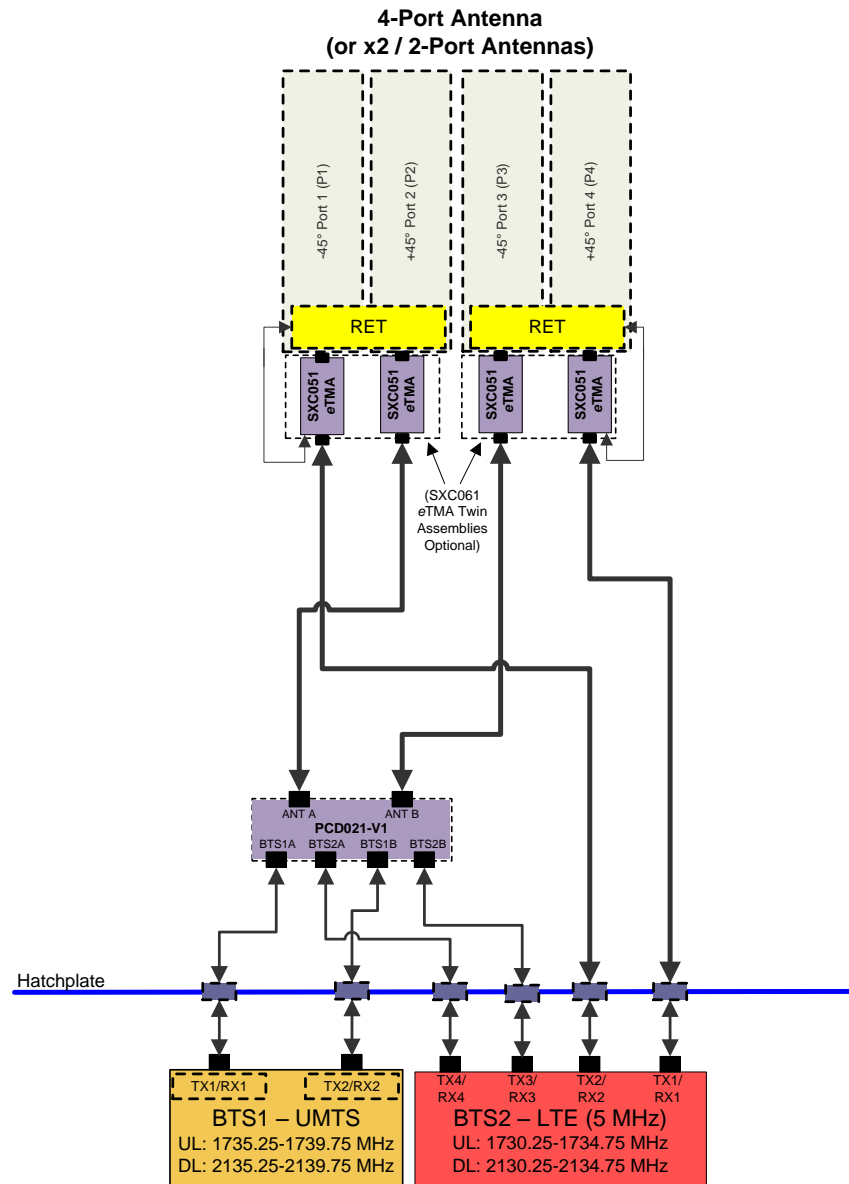


- Dual Band AWS/PCS eTMA's
 - 12 dB gain
 - Direct Connect to Antenna
 - AISG RET Port
- AWS Adjacent Block Combiner
 - 1- UMTS carriers above LTE carrier (AWS D-block)
 - 2- 5 MHz LTE carrier below UMTS (AWS E-block)
- 500 KHz Filter Channel Spacing
- To be used with AWS band Capable Antenna (1710-2170 MHz)

EMEA
 Filtronic Wireless Ltd.
 3 Airport West
 Lancaster Way
 Yeadon
 United Kingdom
 +44 1740625163

Americas
 Filtronic Wireless Inc.
 700 Marvel Rd
 Salisbury
 MD 21801
 United States of America
 +1 410 202 8811



For further information about possible frequency allocations, please contact:
Technical@filtronic.com