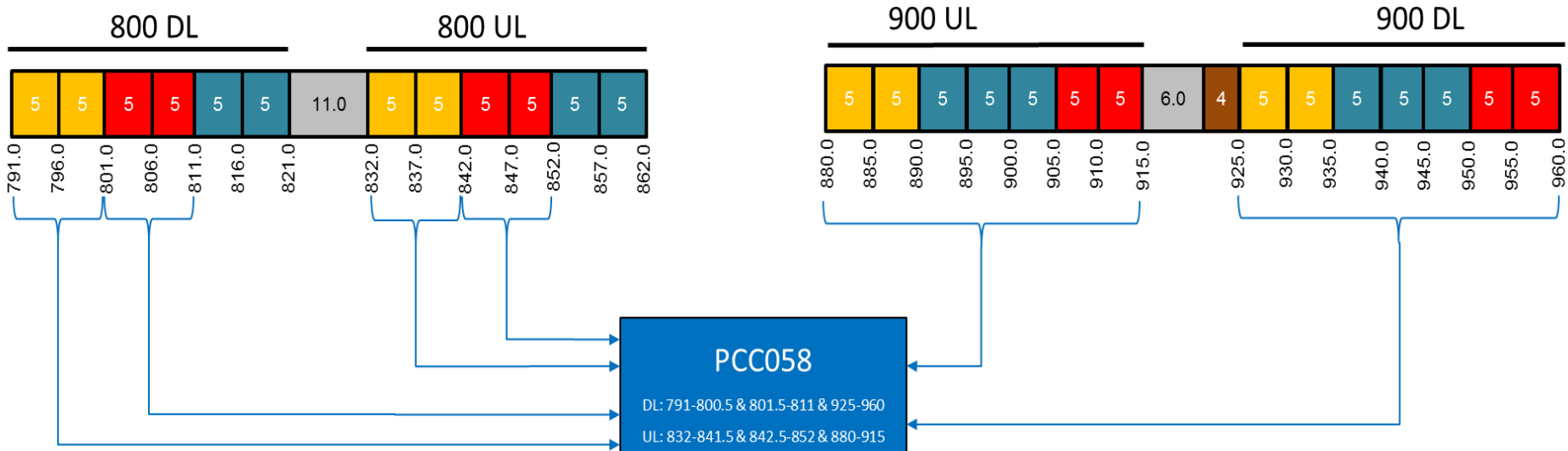
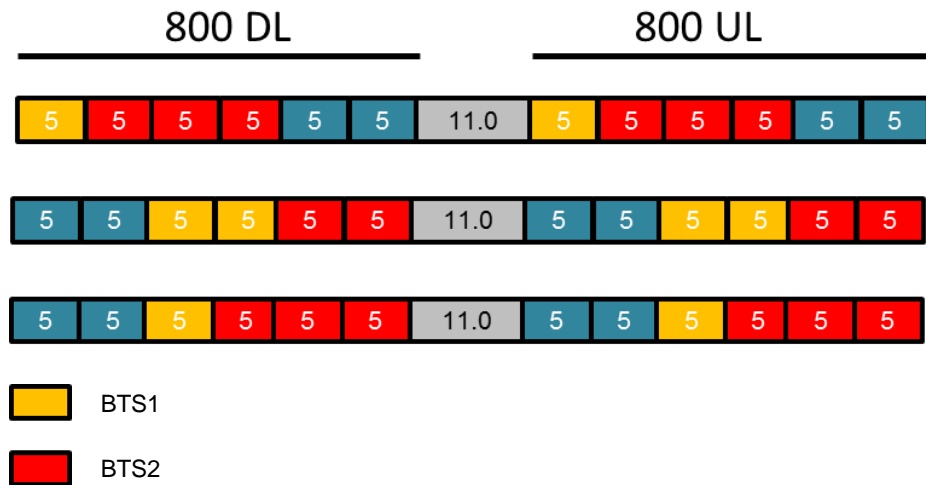


- In-band Combining of Two Adjacent LTE Blocks Within 800MHz band, 1MHz guard band.
- Cross-band Combining of LTE800 and EGSM900 Bands
- To be used with 800/900MHz Capable Antenna
- Suitable for Two Operators to Share Their Networks or One Operator to Overlay a New Technology on Their Existing Infrastructure



Frequency Allocation Examples for PCC058



For further information about possible frequency allocations, please contact: Technical@filtronic.com

