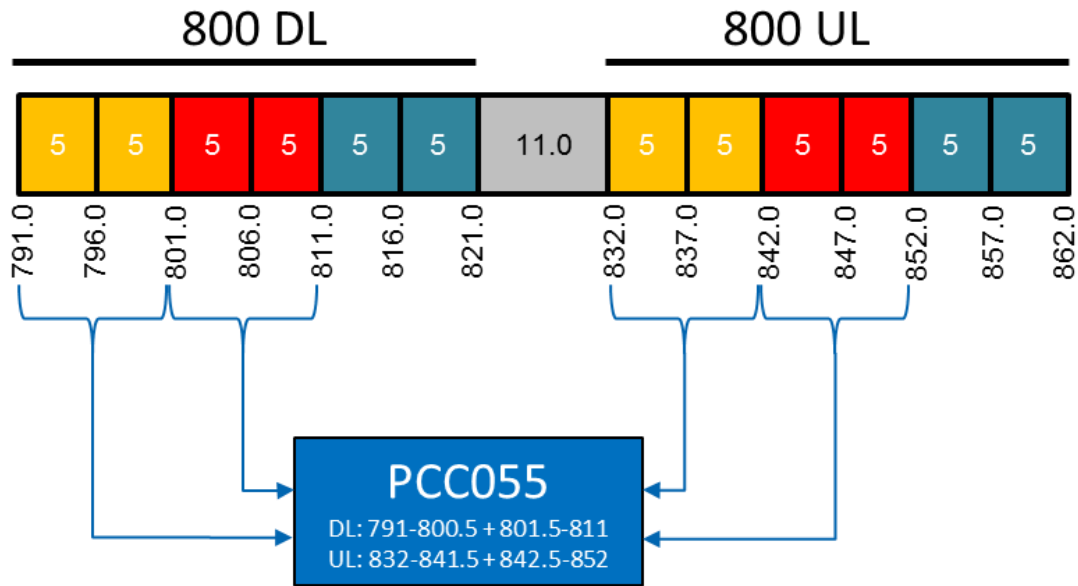


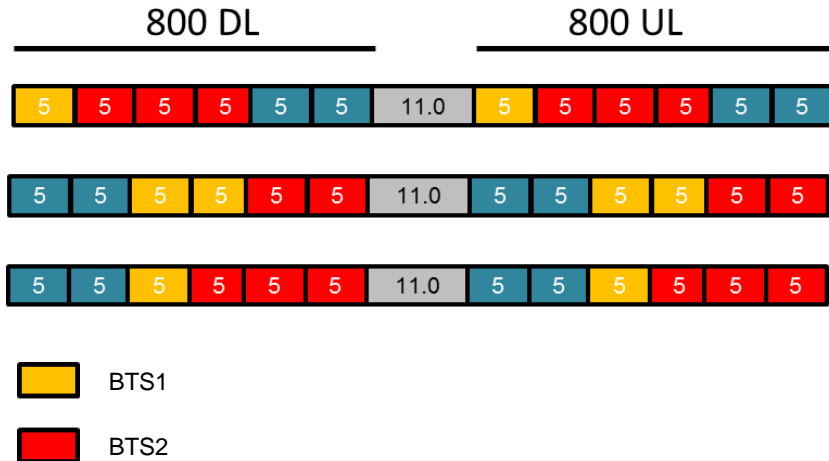
- In-band Combining of Two Adjacent LTE Blocks:
 - A 5-10MHz Block with Any Other Size Block Within 800MHz Band
 - 1MHz Guard Band with no Loss of Spectrum
- To be used with 800MHz Capable Antenna



EMEA
 Filtronic Wireless Ltd.
 3 Airport West
 Lancaster Way
 Yeadon
 United Kingdom
 +44 1740625163

Americas
 Filtronic Wireless Inc.
 700 Marvel Rd
 Salisbury
 MD 21801
 United States of America
 +1 410 202 8811

Frequency Allocation Examples for PCC055



For further information about possible frequency allocations, please contact: Technical@filtronic.com

