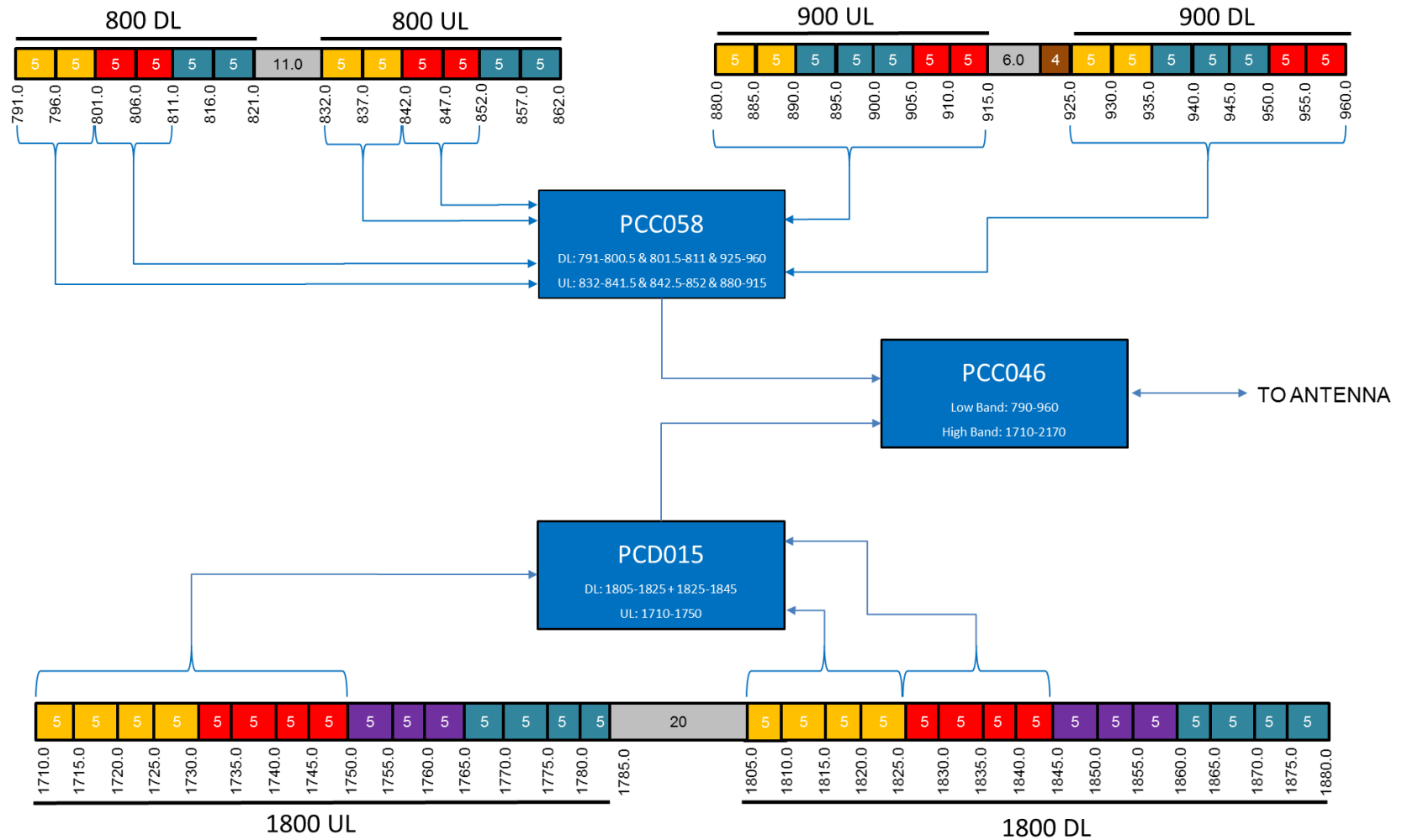




Sharing Solution for PCC046, PCC058, PCD015, SXC088 and SXC110 - 800/900MHz and 1800MHz Bands



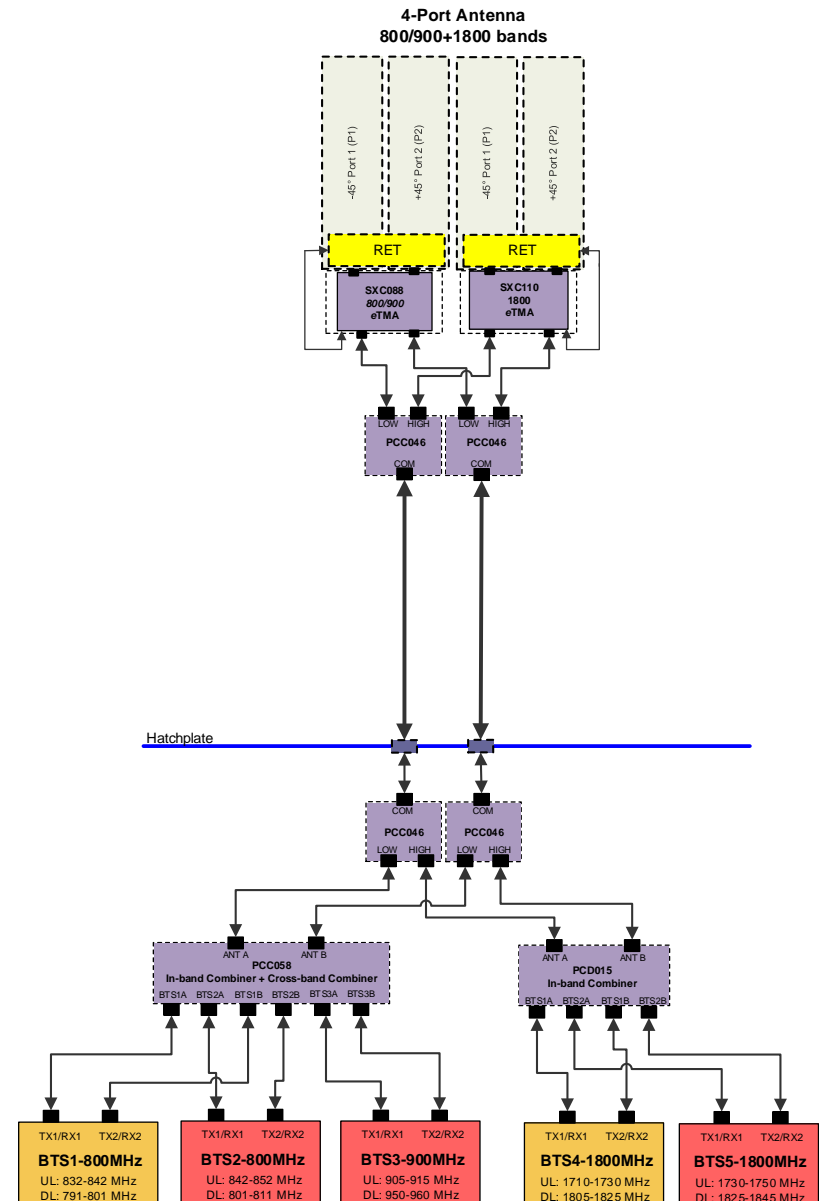
EMEA
Filtronic Wireless Ltd.
3 Airport West
Lancaster Way
Yeadon
United Kingdom
+44 174 062 5163

Americas
Filtronic Wireless Inc.
700 Marvel Rd
Salisbury
MD 21801
United States of America
+1 410 202 8811



www.filtronic.com
sales@filtronic.com

- SXC088-Dual Band 800/900MHz TMA
 - 12 dB gain
 - Direct Connect to Antenna
 - AISG RET Port
- SXC110-Single Band 1800MHz TMA
 - 12 dB gain
 - Direct Connect to Antenna
 - AISG RET Port
- PCC046-800-900+1800 Cross-band Combiner
 - Low Channel 790-960MHz
 - High Channel 1710-2170MHz
 - Low loss (< 0.3 dB) and high isolation (> 50 dB)
- PCC058-800MHz In-Band Combiner- 800/900 Cross-band Combiner
 - 1- 5-10MHz LTE Block
 - 2- Any Other Size Adjacent Block
 - 1 MHz Guard Band
 - Cross-band Combining of 800 and 900MHz Bands
- PCD015-1800MHz In-Band Combiner
 - 1- 5-20MHz Block
 - 2- Any Other Size Adjacent Block
 - 1MHz Guard Band
 - Filter Combiner at TX and Standard Hybrid Combiner at RX
- Used with Low-Band/High-Band Capable Antenna (790-960/1710-2170 MHz)



For further information about possible frequency allocations, please contact: Technical@filtronic.com