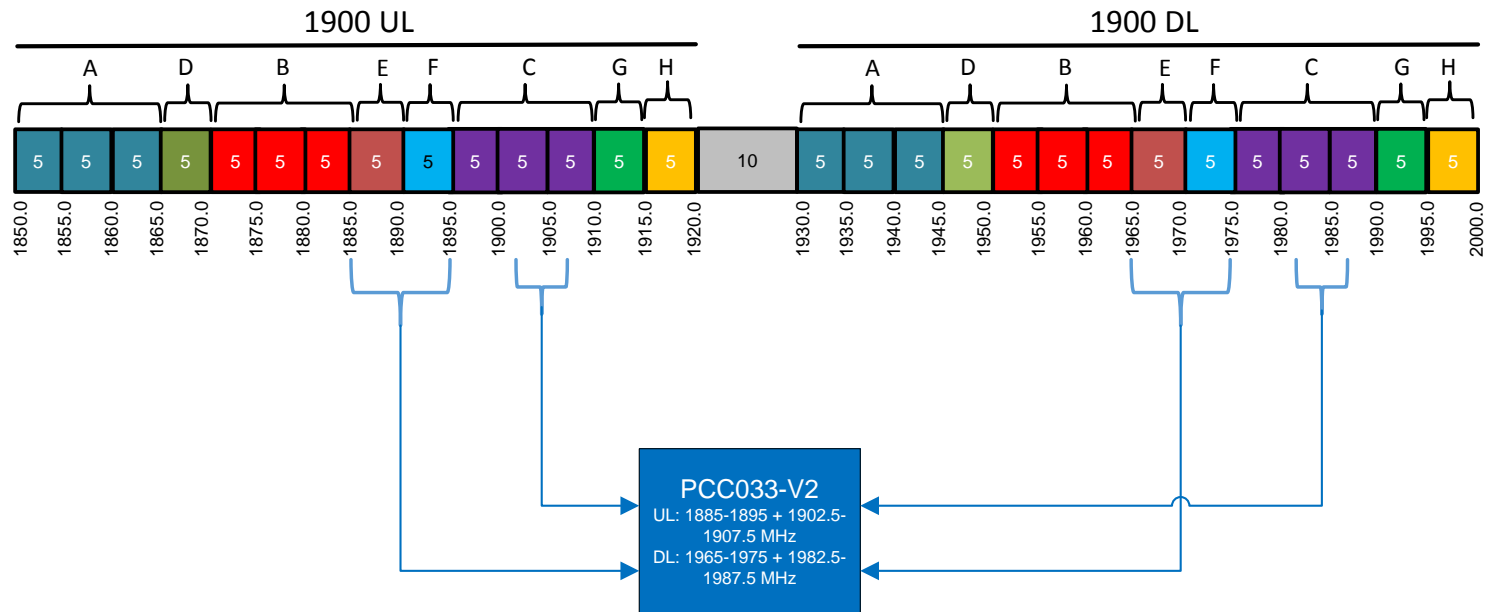


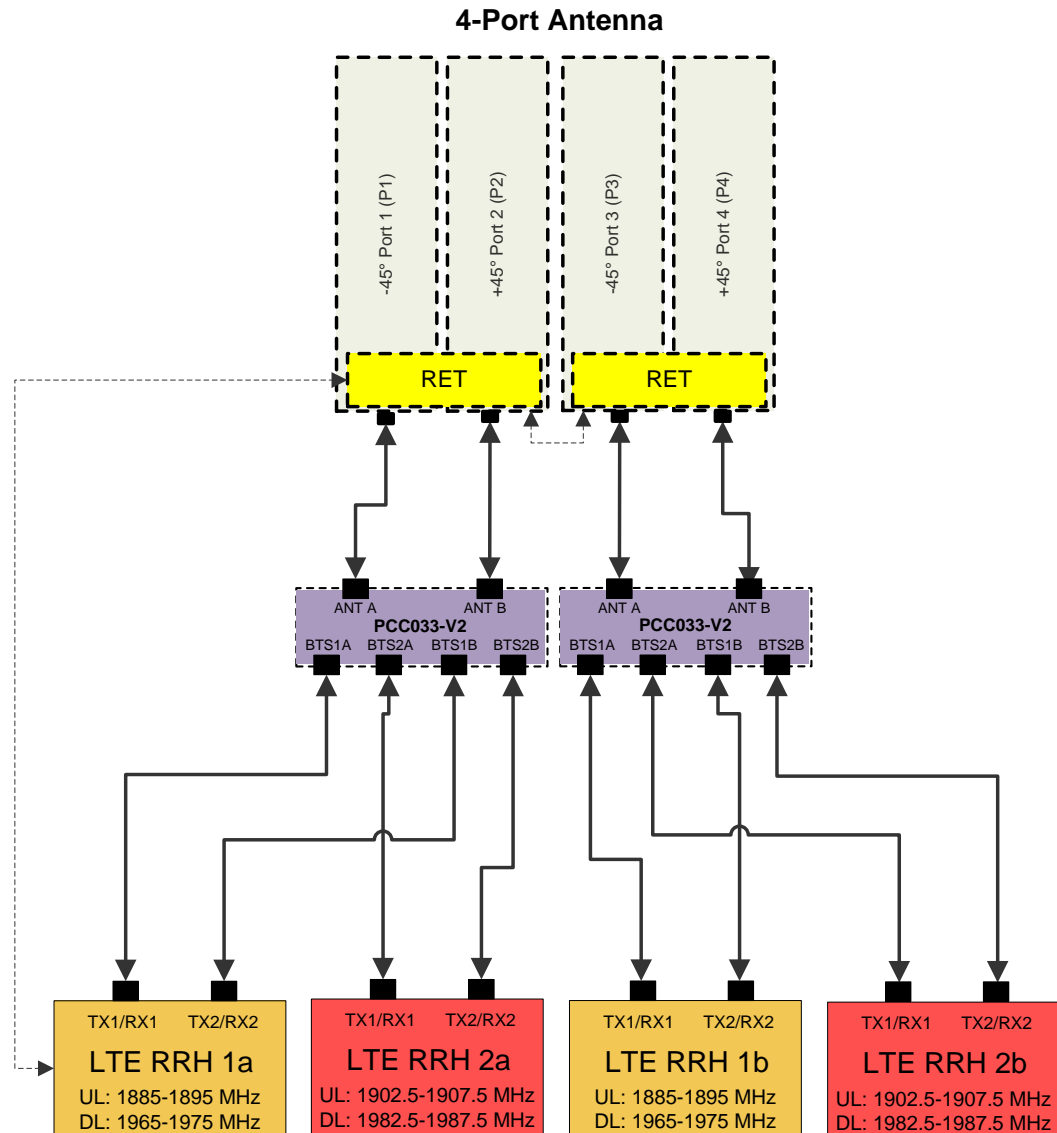
- In-Band Combining of 10 MHz LTE Carrier with 5 MHz LTE Carrier:
 - 1- 10 MHz LTE carrier in E & F blocks
 - 2- 5 MHz LTE carrier in PCS C4b/C5a sub-blocks
- 7.5 MHz LTE to LTE Carrier Spacing
- To be used with 1900 MHz Capable Antenna

PCS Band



EMEA
 Filtronic Wireless Ltd.
 3 Airport West
 Lancaster Way
 Yeadon
 United Kingdom
 +44 1740625163

Americas
 Filtronic Wireless Inc.
 700 Marvel Rd
 Salisbury
 MD 21801
 United States of America
 +1 410 202 8811



For further information about possible frequency allocations, please contact: Technical@filtronic.com