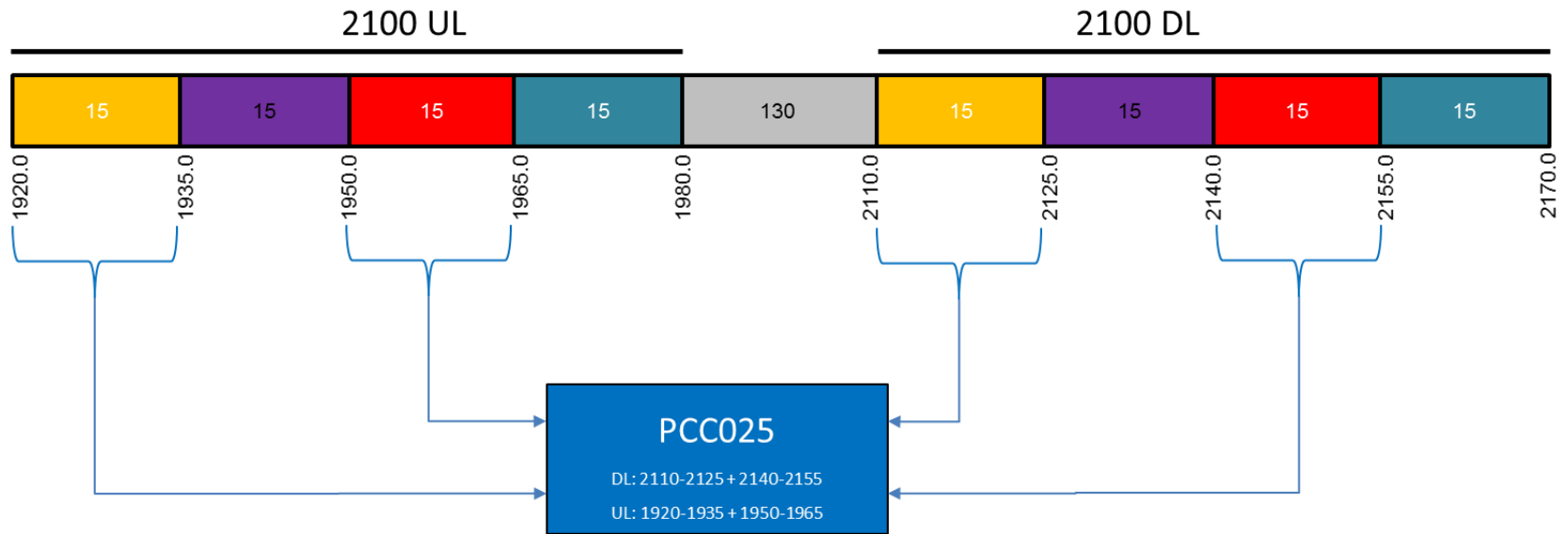
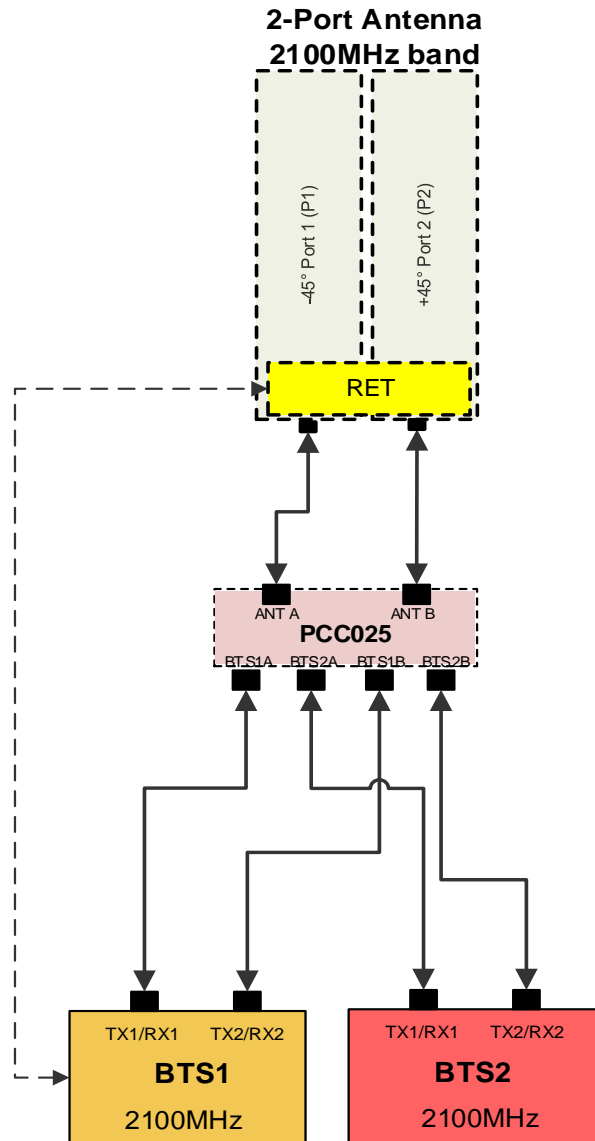


- In-band Combining of a 5-15MHz Block With Any Other Size Block Within 2100MHz Band
- 15MHz Guard band.
- To be used with 2100MHz Capable Antenna



EMEA
 Filtronic Wireless Ltd.
 3 Airport West
 Lancaster Way
 Yeadon
 United Kingdom
 +44 1740625163

Americas
 Filtronic Wireless Inc.
 700 Marvel Rd
 Salisbury
 MD 21801
 United States of America
 +1 410 202 8811



For further information about possible frequency allocations, please contact: Technical@filtronic.com