

Features:

- Combines Full-Band LTE 800MHz with Full-Band EGSM 900MHz
- Very Low Loss, < 0.4dB at All Ports
- Wall, Pole, Tray or Rack Mounting
- High Reliability
- DC and AISG Passthrough Options

Filter Specifications

Passband Port 1	790 to 862MHz
Passband Port 2	880 to 960MHz

LTE 800MHz Port 1

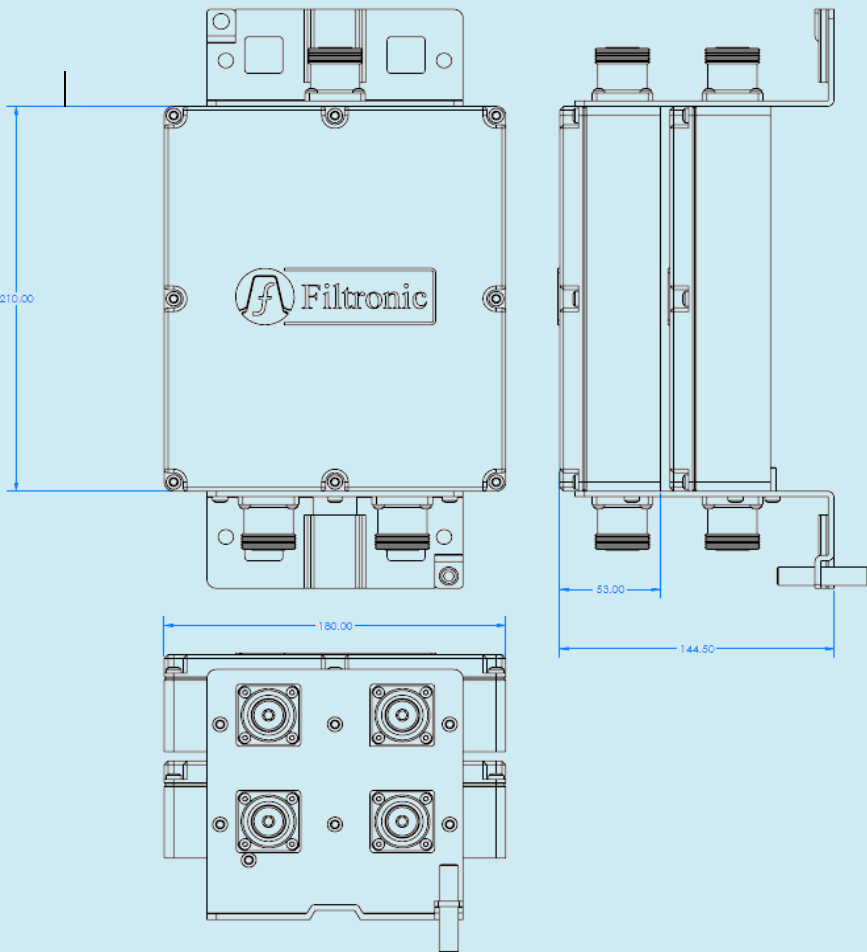
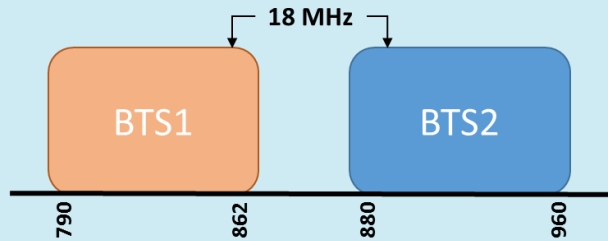
Insertion Loss	< 0.4dB
Return Loss	> 21dB
Power Handling	3000W peak, 80W RMS
Intermodulation in Rx Band	> 160dBc (2 x 43dBm tones)
Isolation	> 50dB

EGSM 900MHz Port 2

Insertion Loss	< 0.4dB
Return Loss	> 21dB
Power Handling	3000W peak, 100W RMS
Intermodulation in Rx Band	> 160dBc (2 x 43dBm tones)
Isolation	> 50dB

LTE 800MHz

EGSM 900MHz



DC and AISG

DC / AISG Path
Connections

Factory configurable
PCC073-V2 – Port 1 to Port 3
PCC073-V3 – Port 2 to Port 3
PCC073-V4 – Port 1 and Port 2 to Port 3

Communication Band
DC

2.176MHz ASIG
< 2.5A, < 10 to 32V

Mechanical

Connectors
Dimensions
Weight
Colour
Mounting arrangements

36 x 7/16 DIN Female, Long Neck
210 x 180 x 145 mm
Excluding connectors and mounting brackets
5 kg
Light grey RAL 7047
Rack, wall or pole

Environmental

Operating Temp (°C)
Altitude
Ingress Protection
Humidity

-40 to +50
< 2500 m
IP68
< 90%

EMEA
Filtronic Wireless Ltd.
3 Airport West
Lancaster Way
Yeadon
United Kingdom
+44 113 220 0000

Americas
Filtronic Wireless Inc.
700 Marvel Rd
Salisbury
MD 21801
United States of America
+1 410 202 8811