

Features:

- Patented Design For Ultra Low TX Loss, Typically < 0.1dB
- Combines Two full-band 2100MHz Signals For Use On One Cross Polar Antenna, With RX Diversity
- Passive RX Split To Be Used With TMAs
- 1U Rack Mounting Capable
- Wall, Pole, Tray or Rack Mounting
- High Reliability

Filter Specifications

Passband BTSA / BTSB

Full 2100MHz uplink and downlink bands
2110 to 2170MHz TX, 1920 to 1980MHz RX

Uplink (RX) Specifications

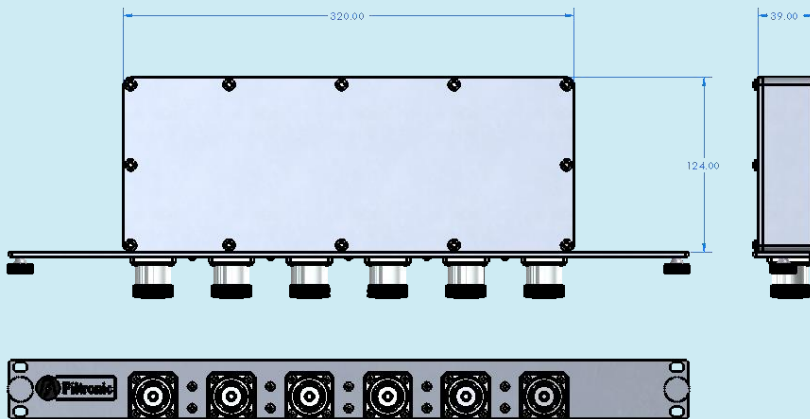
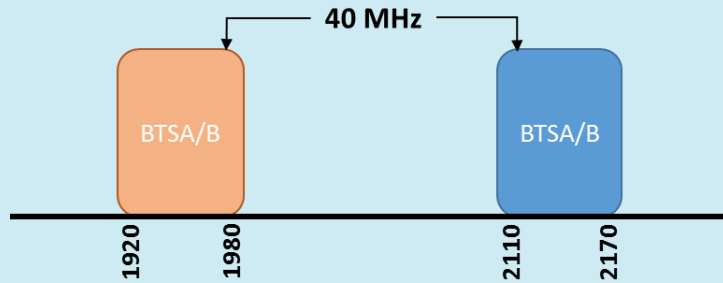
Insertion Loss	< 3.5dB
Return Loss, all ports	> 18dB
Isolation RX-RX	> 24dB

Downlink (TX) Specifications

Insertion Loss	< 0.15dB
Return Loss, all ports	> 25dB
IMD in RX Band	> 163dBc (2 x 43dBm tones)
Isolation TX-RX	> 33dB
Power Handling, all ports	160W

Uplink (RX)

Downlink (TX)



Mechanical

Connectors
Dimensions
Weight
Colour
Mounting arrangements

6 x 7/16 DIN Female, Long Neck
320 x 124 x 39 mm
< 2.5 kg (5.5lbs)
Light grey
Rack, wall or pole

Environmental

Operating Temp (°C)
Altitude
Ingress Protection
Humidity

-30 to +50
< 2500 m
IP67
< 90%

EMEA
Filtronic Wireless Ltd.
3 Airport West
Lancaster Way
Yeadon
United Kingdom
+44 174 062 5163

Americas
Filtronic Wireless Inc.
700 Marvel Rd
Salisbury
MD 21801
United States of America
+1 410 202 8811