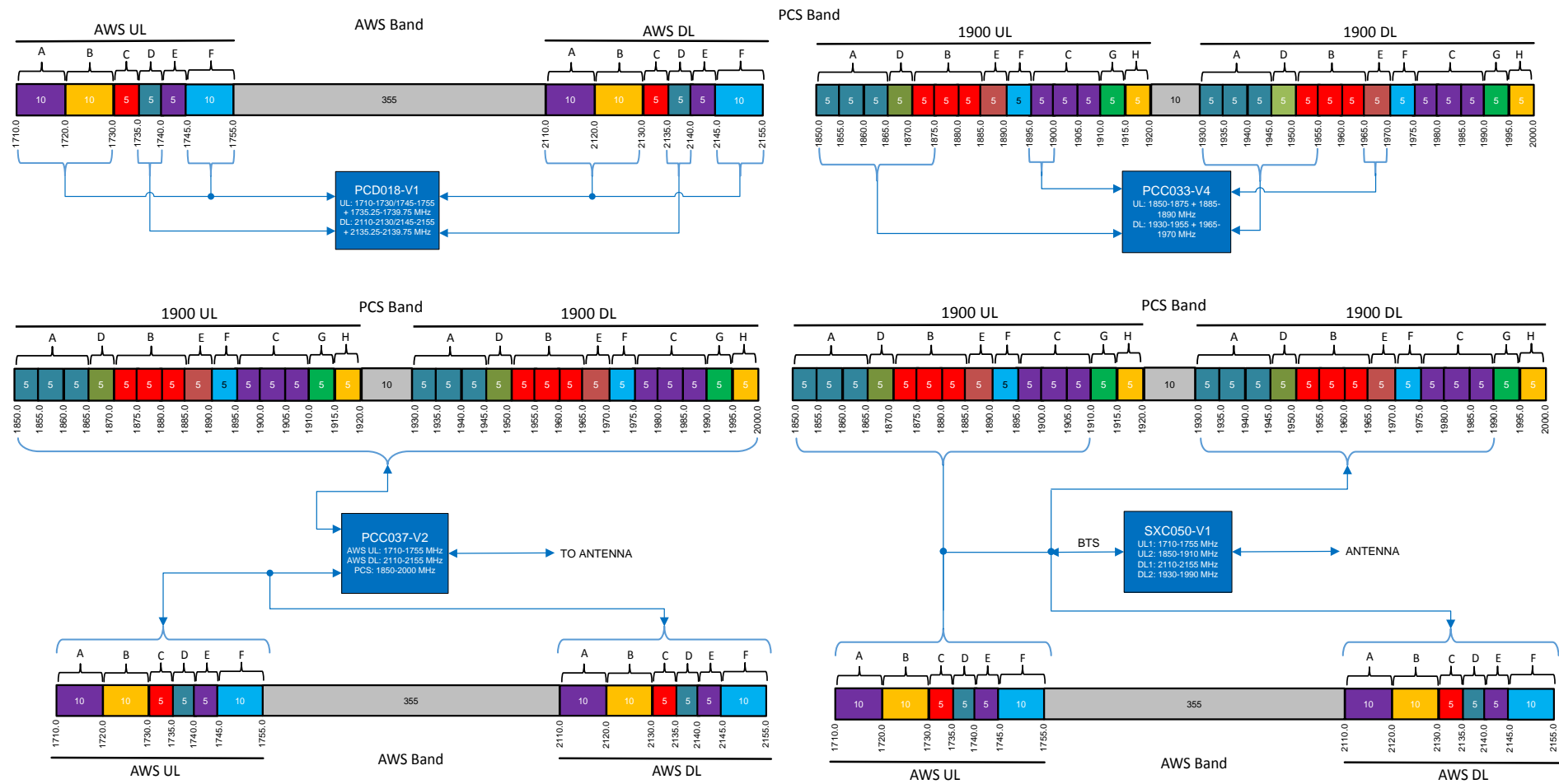




# Dual Band Flagpole Site Sharing Solution for PCD018-V1, PCC033-V4, PCC037-V2 & SXC050-V1 for AWS & PCS bands

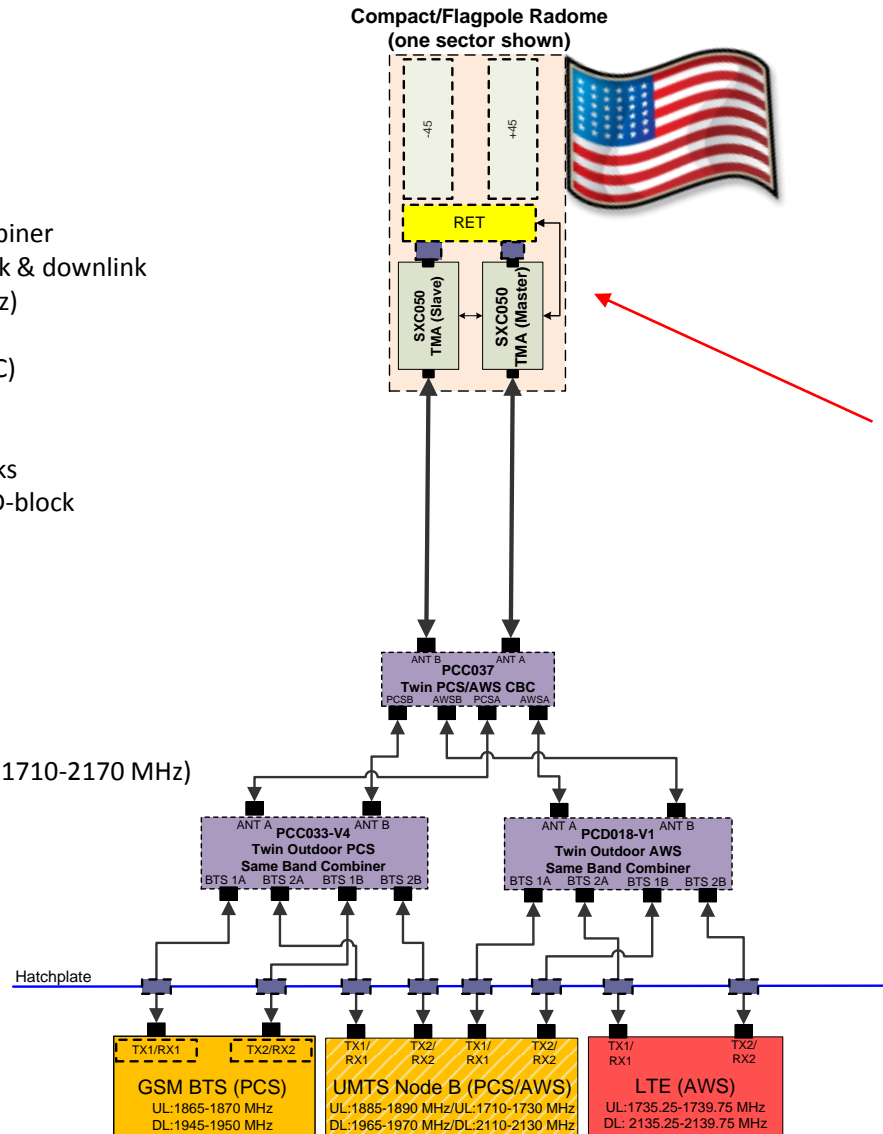


**EMEA**  
 Filtronic Wireless Ltd.  
 3 Airport West  
 Lancaster Way  
 Yeading  
 United Kingdom  
 +44 1740625163

**Americas**  
 Filtronic Wireless Inc.  
 700 Marvel Rd  
 Salisbury  
 MD 21801  
 United States of America  
 +1 410 202 8811



- SXC050-V1 Twin Dual Band AWS/PCS TMA
  - 12 dB gain
  - 6-12 dB user gain adjustment
  - Direct Connect to Antenna
  - AISG RET Port
  - Indoor (inside radome) packaging
- PCC037-V2 Twin PCS + AWS Crossband Combiner
  - Passes fullband AWS (45 MHz) uplink & downlink
  - Passes fullband PCS (1850-1990 MHz)
  - Low Insertion Loss (0.40 dB max.)
  - DC/AISG Autosense (AISG follows DC)
  - Outdoor twin Combiner package
- PCD018-V1 AWS In-Band Combiner
  - 1- UMTS carriers in AWS A & B-blocks
  - 2- 5 MHz LTE carrier above in AWS D-block
  - Could support AWS F-block overlay
  - 5.25 MHz spacing
  - Outdoor twin Combiner package
- PCC033-V4 PCS In-Band Combiner
  - UMTS carrier in PCS E-block
  - GSM carriers in PCS D-block
  - Outdoor twin Combiner package
- Used with AWS/PCS band Capable Antenna (1710-2170 MHz)



For further information about possible frequency allocations, please contact: [Technical@filtronic.com](mailto:Technical@filtronic.com)