

Features:

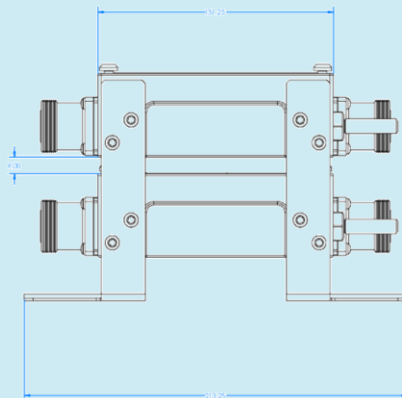
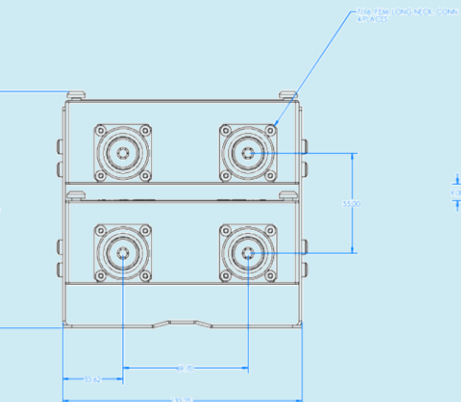
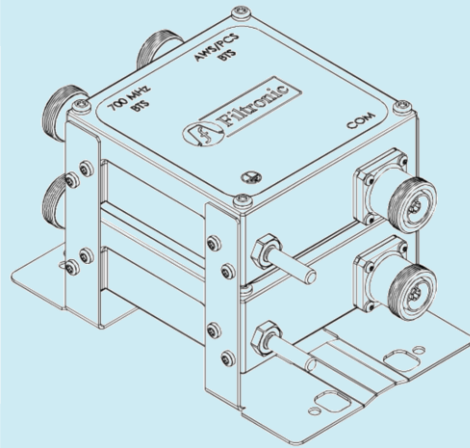
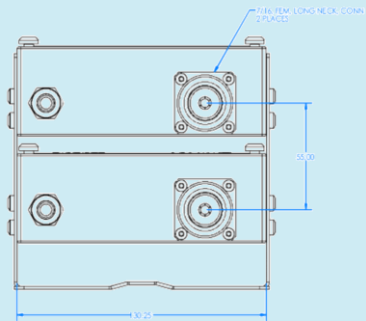
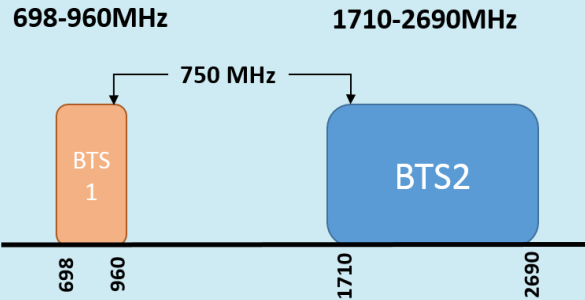
- Universal Twin Low + High Band Cross-band Combiner
- Low Loss, < 0.4dB at All Ports < 0.10 dB typical (≤ 0.20 dB under all conditions)
- High Isolation - 55 dB typical (≥ 50 dB under all conditions)
- High Return Loss (≥ 18 dB for both Passbands)
- Excellent IMD Performance (-112 dBm maximum)
- All Channel Connect for DC/AISG Transparency
- Sealed to IP67 for Indoor or Outdoor Use

Filter Specifications

Low Channel Passband	698—960 MHz
High Channel Passband	1710—2690 MHz
Passband Insertion Loss	0.20 dB maximum (< 0.10 dB typical)
Return Loss	50 dB min. (55 dB typical)
Isolation	50 dB min. (55 dB typical)
Intermodulation in Rx Band	-112 dBm (-155 dBc) max. (2x+43dBm tones)
TX Input Power (per port)	250W RMS, 5.0KW PEP, minimum
Power Test Conditions	2:1 Antenna VSWR, +50C temp & 3km altitude

DC and AISG

Transparency Path	All Connect (Low/High to Antenna Port)
DC Transparency Power	10 to 32V @ 3A max
Voltage Drop @ 3A	<0.25V
Communications Band	2 to 12 MHz
Comm Band Insertion Loss	< 0.1 dB typical
Comm Band Return Loss	> 12 dB typical



Mechanical

Connectors	6 x 7/16 DIN Female, Long Neck
Chassis Grounding	M8 Stainless Steel Lug
Weight	7 lbs (3.2kg)
Dimensions	8.4 x 5.28 x 5.12 inches 213.25 x 134 x 130 mm (Including Brackets and Connectors)
Mounting Options	Wall, Tray or Pole w/SS brackets (clamps & mtg. hardware included)
MTBF	> 2.0 M Hours

Environmental

Operating Temp (°C)	-40 to +65
Operating Altitude	3360m maximum
Ingress Protection	IP67
Operating Humidity	Up to 100%
RoHS/WEEE	Compliant
Salt Fog	Per IEC-68-2-11 (test Ka)
Lightning Protection	20 kA 8/20 uS per IEC 61312-1
EMC	Per ETS 300 342-3
Wind Loading	29N (6lb) @ 115 km/h

EMEA
 Filtronic Wireless Ltd.
 3 Airport West
 Lancaster Way
 Yeadon
 United Kingdom
 +44 174 062 5250

Americas
 Filtronic Wireless Inc.
 700 Marvel Rd
 Salisbury
 MD 21801
 United States of America
 +1 410 202 8811