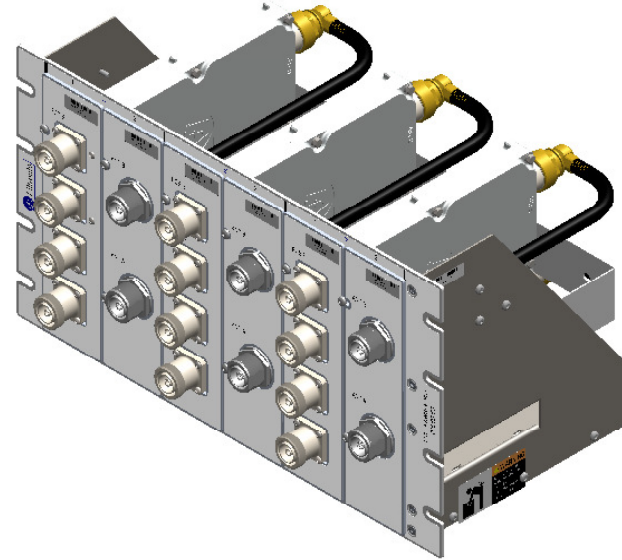


PCC066 Triple Sector PCS+AWS Crossband Combiner Rack Assembly

Features

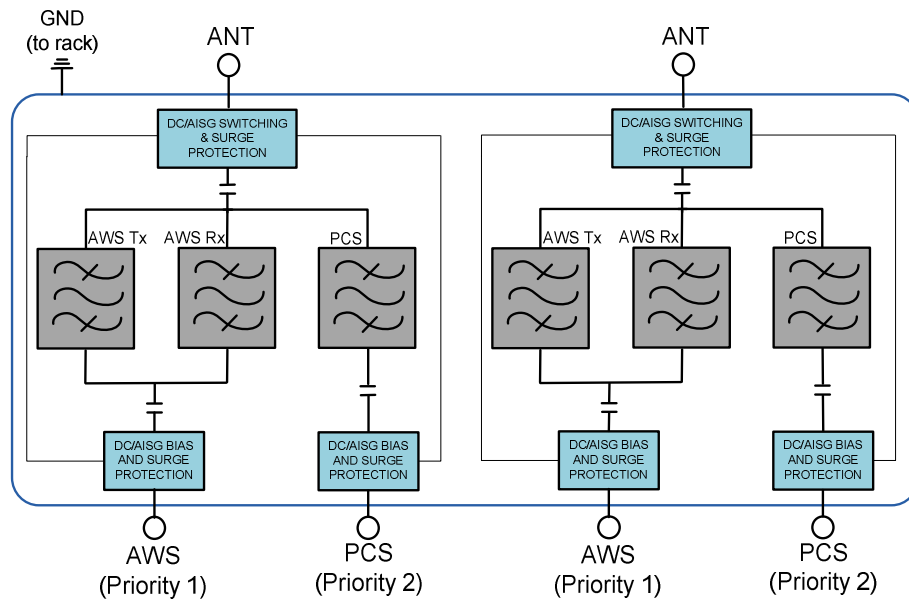
- Triple Sector Crossband Combiner Assembly
- Supports 4 BTS feeds per Sector (2 PCS & 2 AWS)
- Supports Twin Sector Feeds (AWS + PCS)
- Low Loss (≤ 0.60 dB max. AWS & ≤ 0.50 dB max. PCS)
- High Isolation (≥ 30 dB under all conditions)
- High Return Loss (≥ 20 dB for all Passbands)
- Excellent IMD Performance (-110 dBm maximum)
- DC Auto Sense for DC/AISG Feedthru Transparency
- Compact 19" Rackmount Package



Specifications (per Crossband Combiner /x2 per sector)

AWS Passband (Rx)	1710 - 1755 MHz
AWS Passband (Tx)	2110 - 2155 MHz
PCS Passband (Rx & Tx)	1850 - 1990 MHz
Insertion Loss:	
AWS Rx	0.60 dB max. (0.40 dB typ.)
AWS Tx	0.60 dB max. (0.40 dB typ.)
PCS Rx & Tx	0.50 dB max. (0.30 dB typ.)
Return Loss	20 dB min. (22 dB typ.)
Isolation	30 dB min. (32 dB typ.)
IMD in Rx Band	-110 dBm max. (2x+43dBm tones)
Tx Input Power (per port)	200W RMS, min., 2.0KW PEP, min.
Power Conditions	2:1 Antenna VSWR, +50C case temp & 2500m altitude

Product Block Diagrams (one sector shown)



EMEA

Filtronic Wireless Ltd
Unit 3, Airport West
Lancaster Way,
Yeadon, Leeds LS19 7ZA
United Kingdom
+44 (0)113 220 0000

Americas

Filtronic Wireless Inc.
700 Marvel Rd
Salisbury, MD 21801
United States of America
+1 410 202 8811



DTS-PCC066-1

PCC066 Triple Sector PCS+AWS Crossband Combiner Rack Assembly

DC/AISG Specifications

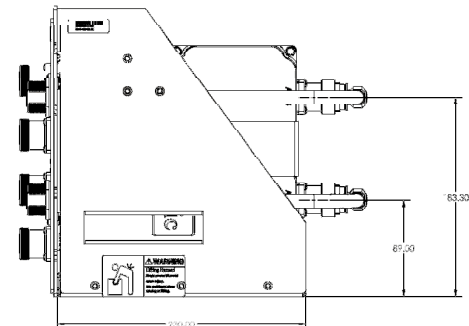
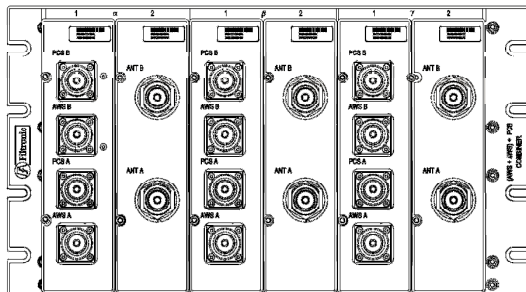
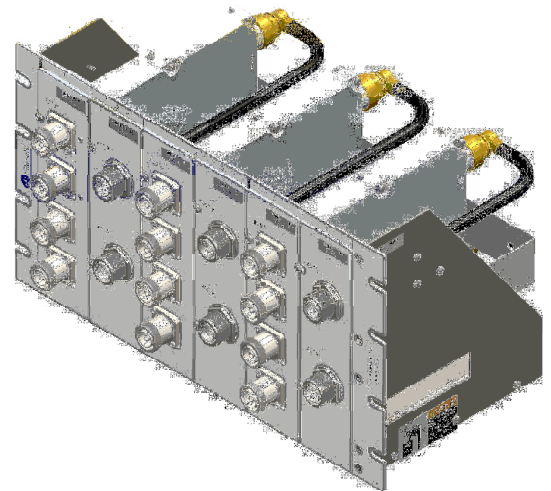
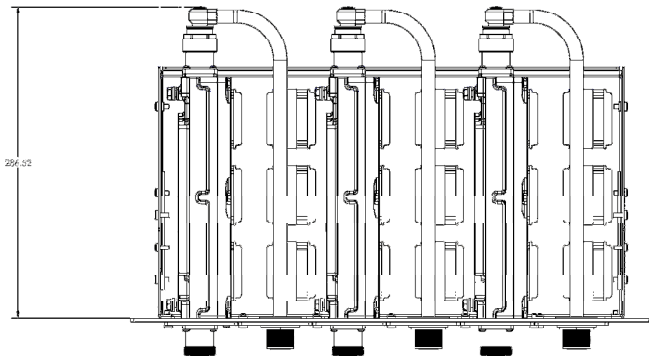
Transparency Path:	<i>Automatic Switching</i> from either AWS or PCS ports to ANT port per DC sense (AISG follows DC)
DC Transparency Power	+32V @ 2.5A max.
Voltage Drop @ 1A	1V typical
Communications Band	2 to 15 MHz
Comm Band Insertion Loss	< 0.1 dB typical
Comm Band Return Loss	> 12 dB typical

Environmental Specifications

Operating Temperature	-40°C to +50°C
Altitude	2500m
Ingress Protection	IP50 (Indoor Installation)
RoHS/WEEE	Compliant
Salt Fog	GR-487
Lightning Protection	IEC 61312-1

Mechanical Characteristics

Connectors	7-16 DIN Female (x18 per assy)
Chassis Grounding	To Rack Chassis Ground
Weight	36 lbs (16.4 kg) nominal
Dimensions	19" Rackmount x 6U (10.5") High x 11.28"(286.52 mm) Deep
Mounting/Installation	Rack Tray
MTBF	> 1,000,000 Hours
Outline:	Per Below



EMEA

Filtronic Wireless Ltd
Unit 3, Airport West
Lancaster Way,
Yeadon, Leeds LS19 7ZA
United Kingdom
+44 (0)113 220 0000

Americas

Filtronic Wireless Inc.
700 Marvel Rd
Salisbury, MD 21801
United States of America
+1 410 202 8811

