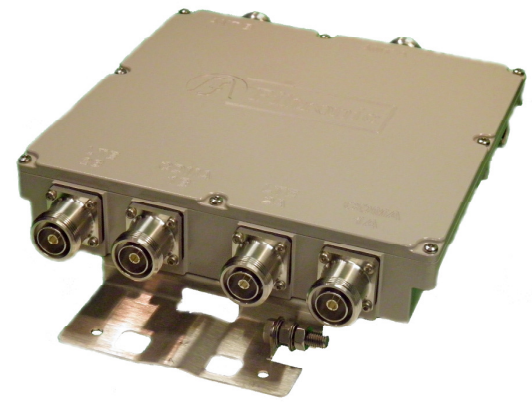


PCC033-V3 PCS A/D/B3/B4 + C3 Twin MIMO Same Band Combiner

Features

- *A/D/B3/B4 + C3 Twin Same Band Combiner*
- *Low Loss; < 0.60 dB typical (≤ 0.70 dB)*
- *High Isolation (≥ 30 dB under all conditions)*
- *DC/AISG Antenna Pass Thru 1A/1B Port Inputs*
- *Duplexed Inputs for Universal Installation*
- *Twin IP67 Package for Indoor or Outdoor Use*



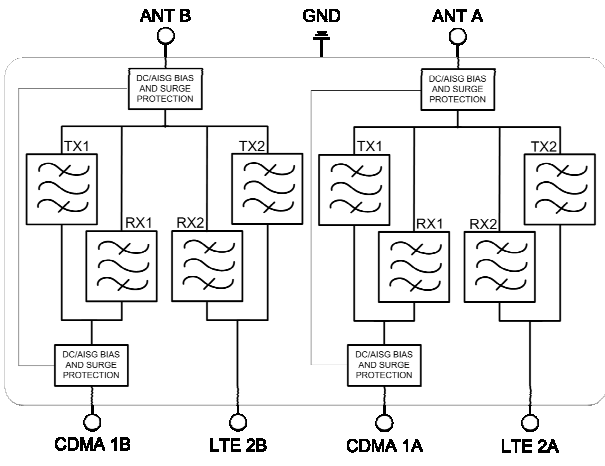
Uplink (Rx) Specifications

Frequency Range Rx1 (Ports 1A/1B)	1850.0 - 1880.0 MHz
Port 1A/1B Insertion Loss	0.70 dB maximum (< 0.60 dB typ.)
Frequency Range Rx2 (Ports 2A/2B)	1895.0 - 1900.0 MHz
Port 2A/2B Insertion Loss	0.70 dB maximum (< 0.60 dB typ.)
	over 5 MHz LTE channel
Return Loss	18 dB min. (20 dB typ.)
Rx-Rx/Tx Isolation	30 dB min. (32 dB typ.)

Downlink (Tx) Specifications

Frequency Range Tx1 (Ports 1A/B)	1930.0 - 1960.0 MHz
Port 1A/1B Insertion Loss	0.70 dB maximum (< 0.60 dB typ.)
Frequency Range Tx2 (Ports 2A/2B)	1975.0 - 1980.0 MHz
Port 2A/2B Insertion Loss	0.70 dB max. (< 0.60 dB typ.)
	over 5 MHz LTE channel
Return Loss	18 dB min. (20 dB typ.)
Tx-Tx/Rx Isolation	30 dB min. (32 dB typ.)
IMD in Rx Band	-117dBm max. (2x+43dBm tones)
Port 1/2 Tx Input Power	150W RMS, min., 2.5KW PEP, min.
Power Conditions	2:1 Antenna VSWR, +50C case temp & 2500m altitude

Product Block Diagram



EMEA
 Filtronic Wireless Ltd
 Unit 3, Airport West
 Lancaster Way,
 Yeadon, Leeds LS19 7ZA
 United Kingdom
 +44 (0)113 220 0000

Americas
 Filtronic Wireless Inc.
 700 Marvel Rd
 Salisbury, MD 21801
 United States of America
 +1 410 202 8811



PCC033-V3 PCS A/D/B3/B4 + C3 Twin MIMO Same Band Combiner

DC/AISG Specifications

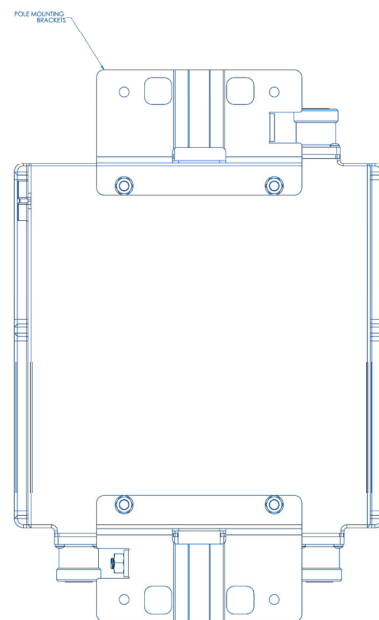
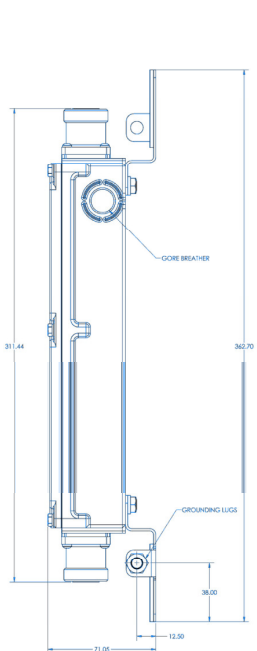
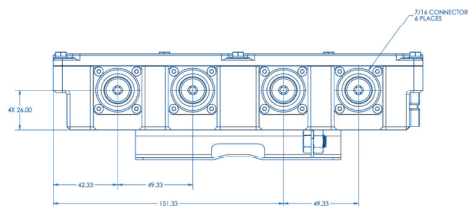
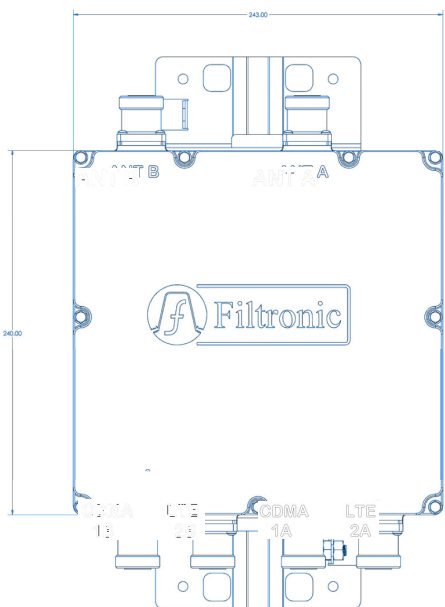
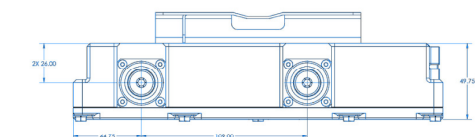
Transparency Path	Ports 1A/1B to Antenna A/B
DC Transparency Power	+32V @ 2.5A max.
Voltage Drop @ 1A	0.3V typical
Communications Band	2.176 +/-100 ppm or Ericsson Proprietary Systems to 12 MHz
Comm Band Return Loss	15 dB typical

Environmental Specifications

Operating Temperature	-40°C to +50°C
Altitude	2500m
Ingress Protection	P67
RoHS/WEEE	Compliant
Salt Fog	GR-487
Lightning Protection	IEC 61312-1

Mechanical Characteristics

Connectors	7-16 DIN Female, Long Neck
Chassis Grounding	M8 with two nuts/washers
Weight	11.5 lbs (5.2 kg)
Dimensions	243 x 240 x 50 mm (9.6 x 9.5 x 2 in) (excluding brackets & connectors)
Mounting Options	Wall, Tray or Pole Using Stainless Steel Brackets
Finish	Powder Coated
Color	Light Gray
MTBF	> 1,000,000 Hours



EMEA

Filtronic Wireless Ltd
Unit 3, Airport West
Lancaster Way,
Yeadon, Leeds LS19 7ZA
United Kingdom
+44 (0)113 220 0000

Americas

Filtronic Wireless Inc.
700 Marvel Rd
Salisbury, MD 21801
United States of America
+1 410 202 8811



Filtronic

DTS-PCC033-V3-1