

Features:

- Dual Unit In a Single Box
- Combines Two Blocks Within 1800MHz Band
- Very Low Loss, < 0.6dB Typical
- High TX Isolation ≥ 30 dB Under All Conditions
- DC and AISG Pass Through
- Extremely Compact
- Sealed to IP67 for Indoor or Outdoor Use

Filter Specifications

Passband BTS1A / BTS1B
 Passband BTS2A / BTS2B
 Cross Over Point BTS1/BTS2

5-15MHz block factory tuneable within 1800MHz band
 Factory Tuneable to any block size within 1800MHz band
 Factory Tuneable within 1800MHz band

Uplink (RX) Specifications

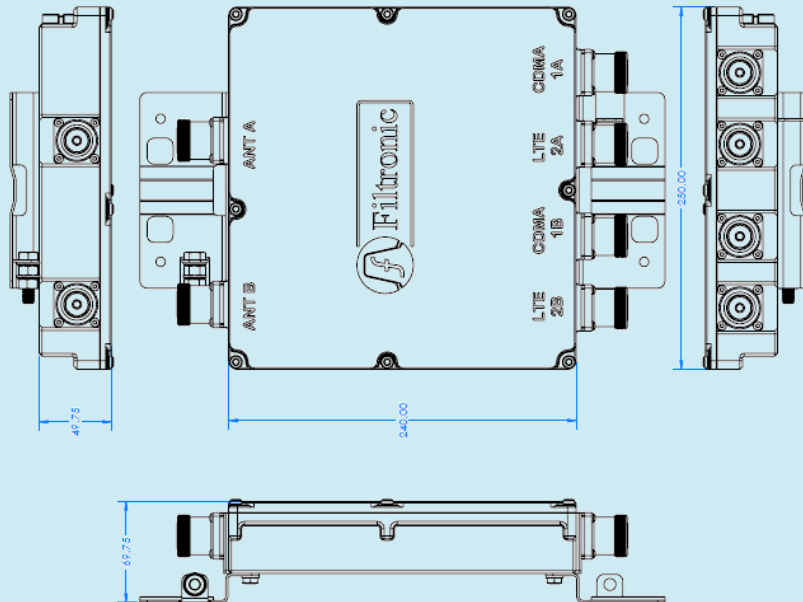
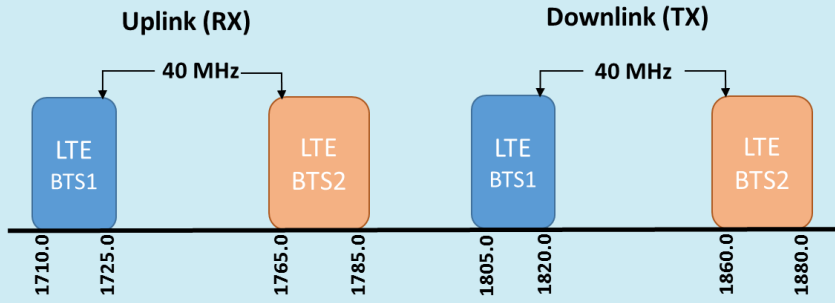
Insertion Loss
 BTS1A to ANTA, BTS1B to ANTB
 BTS2A to ANTA, BTS2B to ANTB
 Return Loss, all ports

< 0.6dB, 0.45dB typical
 < 0.55dB, 0.3dB typical
 > 18dB, 20dB typical

Downlink (TX) Specifications

Insertion Loss
 BTS1A to ANTA, BTS1B to ANTB
 BTS2A to ANTA, BTS2B to ANTB
 Return Loss, all ports
 IMD in RX Band
 Input Power
 Power Handling

< 0.6dB, 0.45dB typical
 < 0.55dB, 0.3dB typical
 > 18dB, 20dB typical
 > 160dBc (2 x 43dBm tones)
 > 150W RMS
 2:1 Antenna VSWR, +50 °C case temp and 2500m altitude



BTS to BTS Isolation

BTS1A to BTS2A / BTS1B to BTS2B > 25dB in RX Band, > 30dB in TX Band

Configuration Example

Passband BTS1A / BTS1B

1860.0 to 1880.0MHz TX, 1765.0 to 1785.0MHz RX

Passband BTS2A / BTS2B

1805.0 to 1820.0MHz TX, 1710.0 to 1725.0MHz RX

DC and AISG

AISG Path

BTS2A/B to ANT A/B

Communications Band

2.176MHz AISG

AISG Band Return Loss

> 20dB

DC

< 2.5 A, < 32 V

Mechanical

Connectors

6 x 7/16 DIN Female, Long Neck

Dimensions

247 x 250 x 50 mm

Weight

5.2kg (11.5 lbs), inc brackets

Colour

Light grey powder coat

Mounting arrangements

Rack, wall or pole

Environmental

Operating Temp (°C)

-40 to +50

Altitude

< 2500 m

Ingress Protection

IP67

Lightning Protection

IEC 61312-1

EMEA

Filtronic Wireless Ltd.
3 Airport West
Lancaster Way
Yeadon
United Kingdom
+44 174 062 5163

Americas

Filtronic Wireless Inc.
700 Marvel Rd
Salisbury
MD 21801
United States of America
+1 410 202 8811