

## Features:

- Dual Combiner in a Single Box
- Dual MIMO in-band 1800MHz Combining
- Able to Insert a 10MHz LTE Carrier Between 1800MHz GSM Blocks With Minimal Spectral Loss
- Symmetrical ultra-narrow Guard Bands, 700KHz Each Side
- Factory Configurable DC/AISG Pass-through
- IP67 Rated for Outdoor Use

## Filter Specifications

Passband BTS1A / BTS1B

Passband BTS2A / BTS2B

Cross Over Point BTS1/BTS2

Guard Band BTS1/BTS2

Full 1800MHz band excluding BTS2A/BTS2B pass band plus guard bands

10MHz block factory tuneable within 1800MHz band

Factory Tuneable to any frequency within 1800MHz band (optimised for upper section of band)

2 x 700KHz

## Uplink (RX) Specifications

Insertion Loss

BTS1A to ANTA, BTS1B to ANTB

BTS2A to ANTA, BTS2B to ANTB

Return Loss, all ports

< 0.75dB typical, 1.5dB max bandedge

< 0.75dB typical, 1.5dB max bandedge

> 18dB

## Downlink (TX) Specifications

Insertion Loss

BTS1A to ANTA, BTS1B to ANTB

BTS2A to ANTA, BTS2B to ANTB

Return Loss, all ports

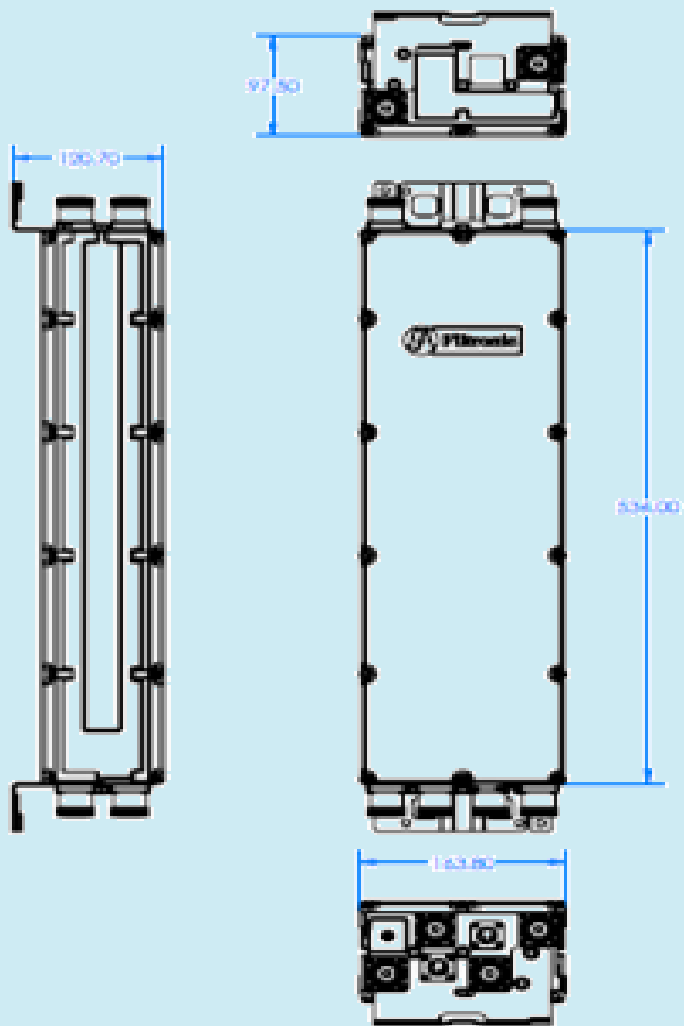
IMD in RX Band

< 0.75dB typical, 1.5dB max bandedge

< 0.75dB typical, 1.5dB max bandedge

> 18dB

> 160dBc (2 x 43dBm tones)



## BTS to BTS Isolation

BTS1A to BTS2A / BTS1B to BTS2B >30dB

## Configuration Example

Passband BTS1A / BTS1B	1864.9 to 1879.9MHz TX 1769.9 to 1784.9MHz RX
Passband BTS2A / BTS2B	1860 to 1864.2MHz TX 1765 to 1769.2MHz RX

## DC and AISG

AISG Path	Factory configurable
Connections	BTS1A/B or BTS2A/B to ANT A/B
Communications Band	2.176MHz AISG
DC	< 2.5A, 10 to 32V

## Mechanical

Connectors	6 x 7/16 DIN Female, Long Neck
Dimensions	164 x 524 x 100mm
Weight	10.5kg (23.15lbs)
Colour	Light grey powder coat
Mounting arrangements	Rack, wall or pole

## Environmental

Operating Temp (°C)	-30 to +50
Altitude	< 2500m
Ingress Protection	IP67
Humidity	< 90%

**EMEA**  
 Filtronic Wireless Ltd.  
 3 Airport West  
 Lancaster Way, Yeadon  
 Leeds, LS19 7ZA  
 UK  
 +44 113 220 0000

**Americas**  
 Filtronic Wireless Inc.  
 700 Marvel Rd  
 Salisbury  
 MD 21801  
 USA  
 +1 410 202 8811